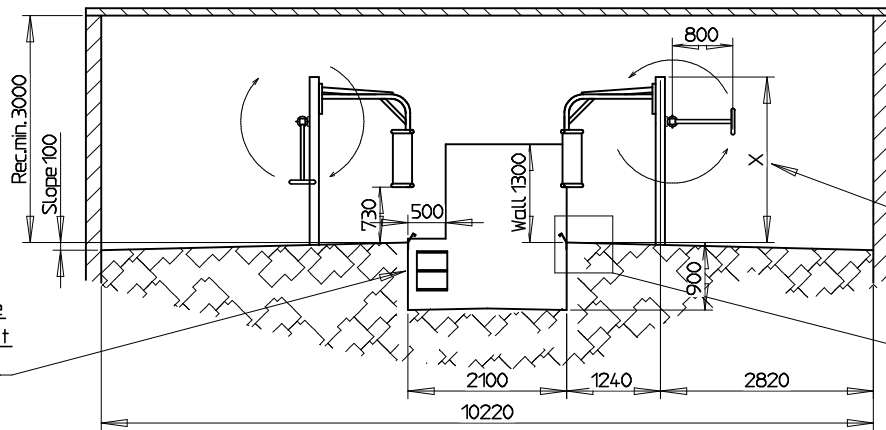


Section A-A

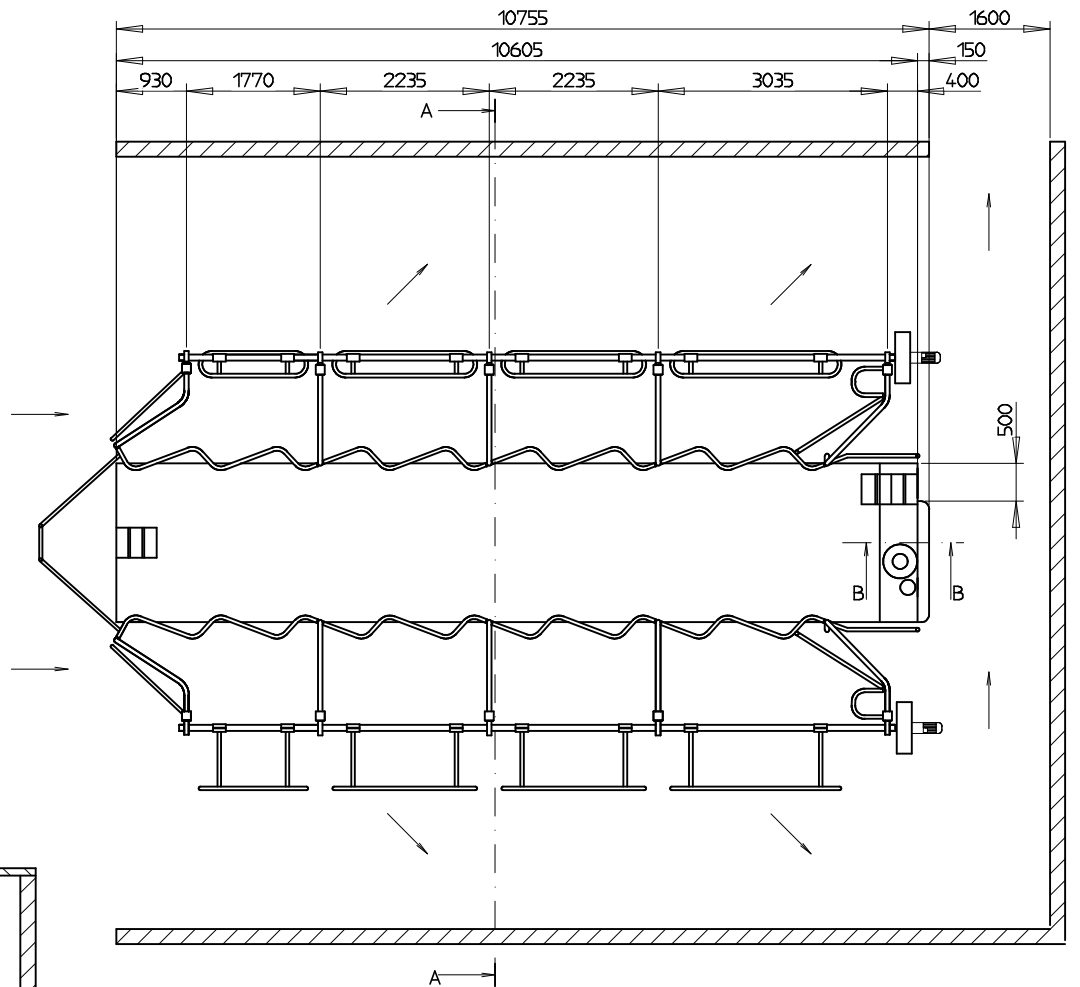


Walls in the milk pit must be vertical

Stainless steel edge is to be bolted to the edge.

Please note:
End post 2190mm
Mid post 2100mm

Stainless steel edge



Please note!
Ventilation:
During building up there must be provided the necessary ventilation to prevent condensed water in the milking parlour.

All measures in mm

STRANGKO A/S		Tolerance:	Overload:	Målestak:	1:0,50,0	Vægt:
HORNE, DK-6800 VARDE				Materiale:		
Tlf. +4575260211				Dimension:		
				Beskrivelse:	Milking Parlour 2x8 rotor exit	
Rev.	Vertiksel	Data	Navn	Original		
D	Endret stolpe	29.04.04	Åa			
C	Endret rotorbom	31.05.01	Åa	Tegn.	30.10.00	Åa
B	Endret rotorbom	04.04.01	Åa	Kont.		
A	Opdateret tegning	03.11.00	Åa	Års.		
					Tegningsnummer:	06 208 007 01
					Sider:	1
					Proj. F.:	
					Beskrivelse:	